

PURCHASER	P.O. #	DATE
PROJECT	LOCATION	
ENGINEER	ARCHITECT	
SUBMITTED BY	FOR APPROVAL	FOR REFERENCE

ITEM	PLAN DESIGNATION	QUANTITY	COOLING BTU/H	VOLTAGE	FRIEDRICH MODEL



**115 VOLT MODELS**  
 FSHSW09A1A, FSHSW12A1A



**WIRELESS  
 REMOTE CONTROL**



**230/208 VOLT MODELS**  
 FSHSW18A3A, FSHSW24A3A, FSHSW36A3A



## FEATURES

- Inverter technology is more energy efficient and can self-adjust capacity to match cooling needs
- Multiple operating modes including: auto, cool, dry, fan only and heat
- TURBO mode operates the unit at maximum performance to quickly bring the room to set temperature
- 4 fan speeds heating or cooling: high, medium, low, "quiet", plus auto-fan
- Continuous 'Air Sweep' up & down
- LCD remote
- 24-hour timer and sleep timer
- Indoor unit will briefly display set or room temperature
- Auto-restart after power interruptions
- Auto-shut flaps close when unit is off for a sleek appearance
- Washable air filters
- 115V/230V models will provide cooling in outdoor temperatures down to 0°F
- Optional remote for cool only operation - Part No. DFACC

# SPECIFICATIONS

PERFORMANCE RATINGS		115 volt models		230/208 volt models		
SYSTEM MODEL NO.		FSHW091	FSHW121	FSHW183	FSHW243	FSHW363
INDOOR MODEL		FSHSW09A1A	FSHSW12A1A	FSHSW18A3A	FSHSW24A3A	FSHSW36A3A
OUTDOOR MODEL		FSHSR09A1A	FSHSR12A1A	FSHSR18A3A	FSHSR24A3A	FSHSR36A3A
<b>SPECIFICATIONS</b>						
CAPACITY COOLING (RATED)	Btu	9000	12000	18000	24000	36000
CAPACITY COOLING MIN - MAX	Btu	3100-9600	3100-12500	3412-20472	8600-24000	7404-35997
CAPACITY HEATING (RATED) @ 47°F	Btu	9500	13000	19800	24000	34600
CAPACITY HEATING (RATED) @ 17°F	Btu	6800	7100	12800	14600	20200
CAPACITY HEATING MIN - MAX	Btu	3100-12000	3412-15013	3412-21837	8600-26000	14979-35997
SENSIBLE HEAT RATIO		0.79	0.73	0.77	0.77	0.75
HSPF		9.0	9.0	9.0	10.0	9.0
SEER		18.0	18.0	18.0	18.0	18.0
EER		10.0	10.1	9.89	11.0	8.2
MOISTURE REMOVAL	Pts/h	1.69	2.96	3.8	4.23	7.4
AIRFLOW (HIGH/MED/LOW/QUIET)	CFM	318/288/241/171	400/318/241/194	500/441/383/294	588/441/306/206	883/765/647/559
SOUND RATING - INDOOR (HIGH/MED/LOW/QUIET)	dB-A	43/38/34/28	43/39/35/29	47/44/41/35	49/46/42/36	54/49/44/37
SOUND RATING - OUTDOOR	dB-A	52	53	57	58	65
OPERATING RANGE (HEATING)	°F	-4-75	-4-75	-13-75	-13-75	-4-75
OPERATING RANGE (COOLING)	°F	0-115	0-115	0-115	0-115	0-115
EST. YEARLY OPERATING COST	U.S. \$	\$67	\$113	\$146	\$198	\$368
<b>ELECTRICAL DATA</b>						
POWER SOURCE	V-Hz-Phase	115-60-1	115-60-1	230/208-60-1	230/208-60-1	230/208-60-1
MIN. AMPACITY	A	17	20	16	16	24
COOLING WATTS	W	900	1194	1820	2010	4100
COOLING AMPS	A	10.87	13.0	8.1	17.0	10.87
HEATING WATTS	W	870	1250	2090	2130	3800
HEATING AMPS	A	10.36	13.5	8.5	9.45	16.5
MAX. TD FUSE/BREAKER	A	25	30	25	25	40
<b>REFRIGERATION SYSTEM</b>						
REFRIGERANT		R410A	R410A	R410A	R410A	R410A
COMPRESSOR TYPE		Inverter	Inverter	Inverter	Inverter	Inverter
CONNECTIONS		Flare	Flare	Flare	Flare	Flare
LIQUID LINE O.D.	in	1/4"	1/4"	1/4"	1/4"	1/4"
SUCTION LINE O.D.	in	3/8"	3/8"	1/2"	5/8"	5/8"
REFRIGERANT CHARGE	oz.	24.7	31.8	45.68	56.4	91.71
FACTORY PRECHARGE	ft	25	25	25	25	25
MIN. / MAX. LINE LENGTH	ft	7/66	7/98	10/82	10/82	15/98
MAX. HEIGHT DIFFERENCE	ft	32.8	49.2	65.0	65.6	32.8
<b>DIMENSIONS &amp; WEIGHT</b>						
<b>INDOOR UNIT</b>						
W x H x D	in	31 1/8 x 10 7/8 x 8	31 1/8 x 11 3/8 x 8	38 x 11 7/8 x 9	42 1/2 x 12 7/8 x 10	53 1/8 x 12 7/8 x 10
NET WEIGHT	lbs	20.9	23.2	30.9	37.5	42.0
SHIPPING WEIGHT	lbs	25.4	27.6	37.5	45.2	51.8
<b>OUTDOOR UNIT</b>						
W x H x D	in	33 1/2 x 21 1/4 x 12 5/8		37 5/8 x 27 5/8 x 15 5/8		38 5/8 x 31 1/8 x 16 7/8
NET WEIGHT	lbs	62.8	67.3	97.0	103.6	161
SHIPPING WEIGHT	lbs	68.4	72.8	106.9	113.5	171.9
TOTAL NET WEIGHT	lbs	83.7	90.5	127.9	141.1	203
TOTAL SHIPPING WEIGHT	lbs	93.8	100.4	144.4	158.7	223.7

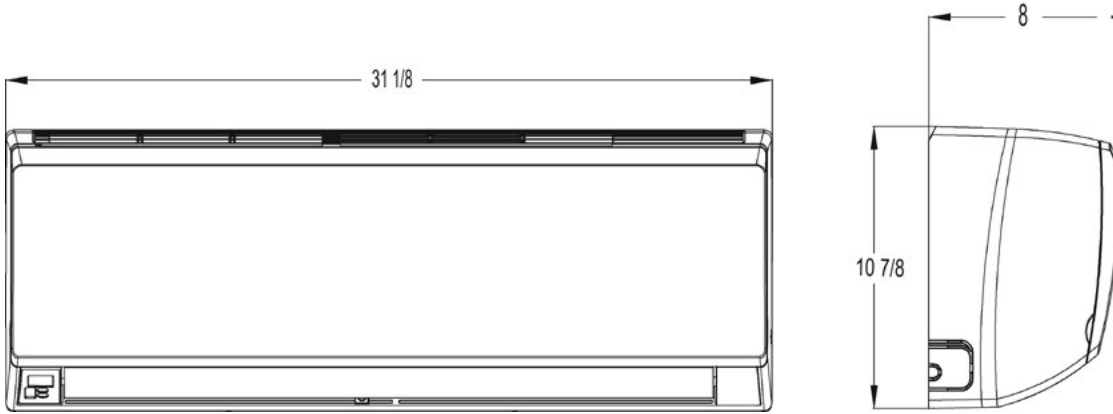
Due to continuing research in new energy-saving technology, specifications are subject to change without notice.



**DIMENSIONAL DRAWINGS**

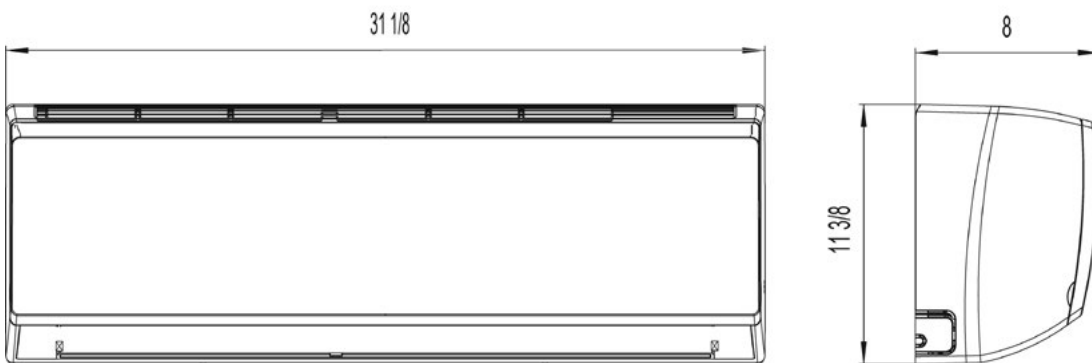
**INDOOR UNITS / FSHSW09A1A**

---



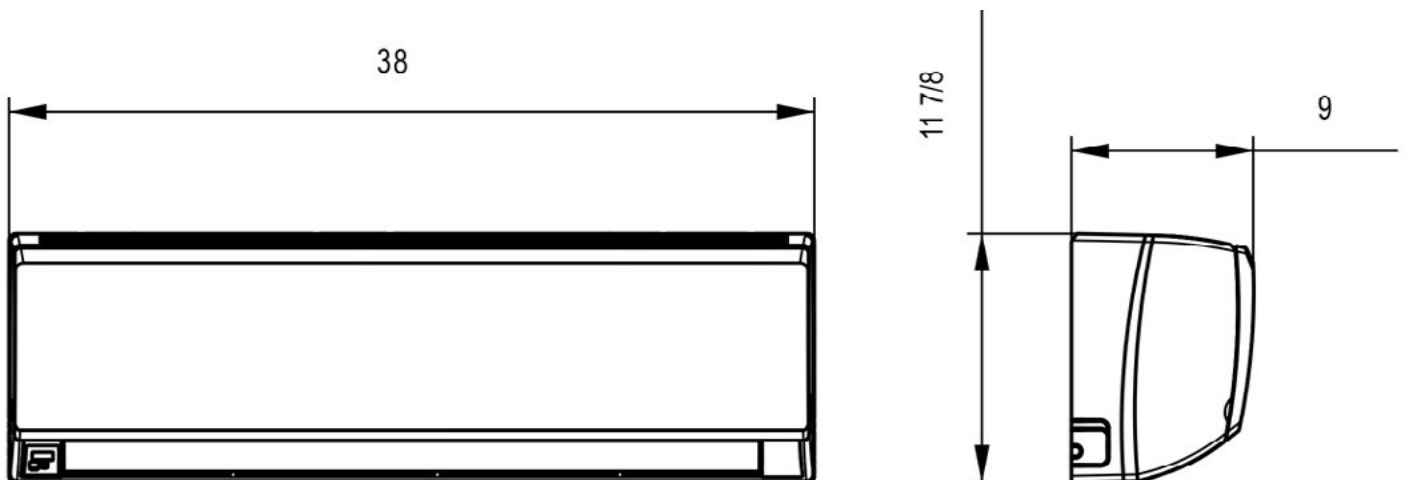
**INDOOR UNITS / FSHSW12A1A**

---



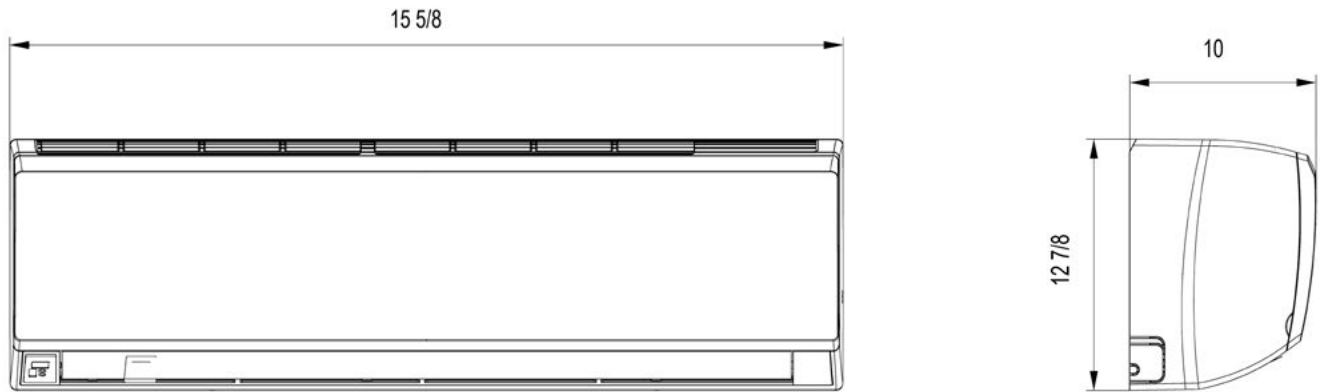
**INDOOR UNITS / FSHSW18A3A**

---



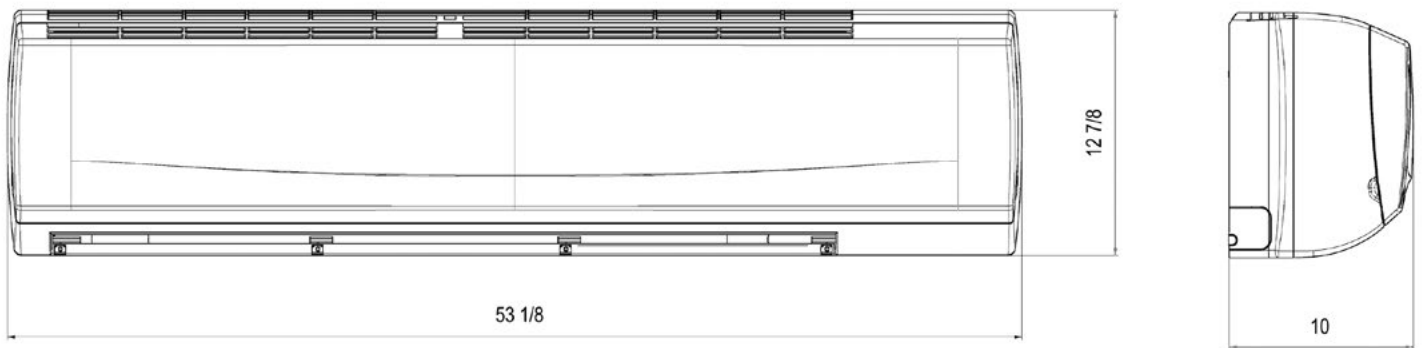
**DIMENSIONAL DRAWINGS**  
**INDOOR UNIT / FSHSW24A3A**

---



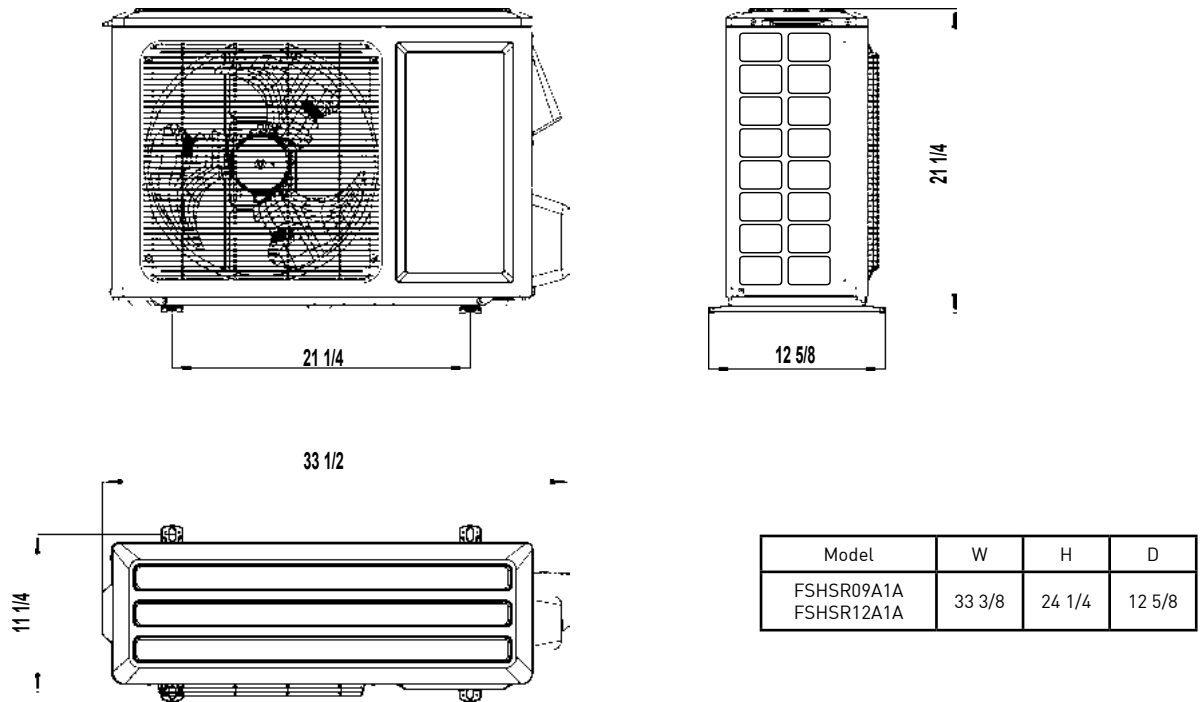
**DIMENSIONAL DRAWINGS**  
**INDOOR UNIT / FSHSW36A3A**

---

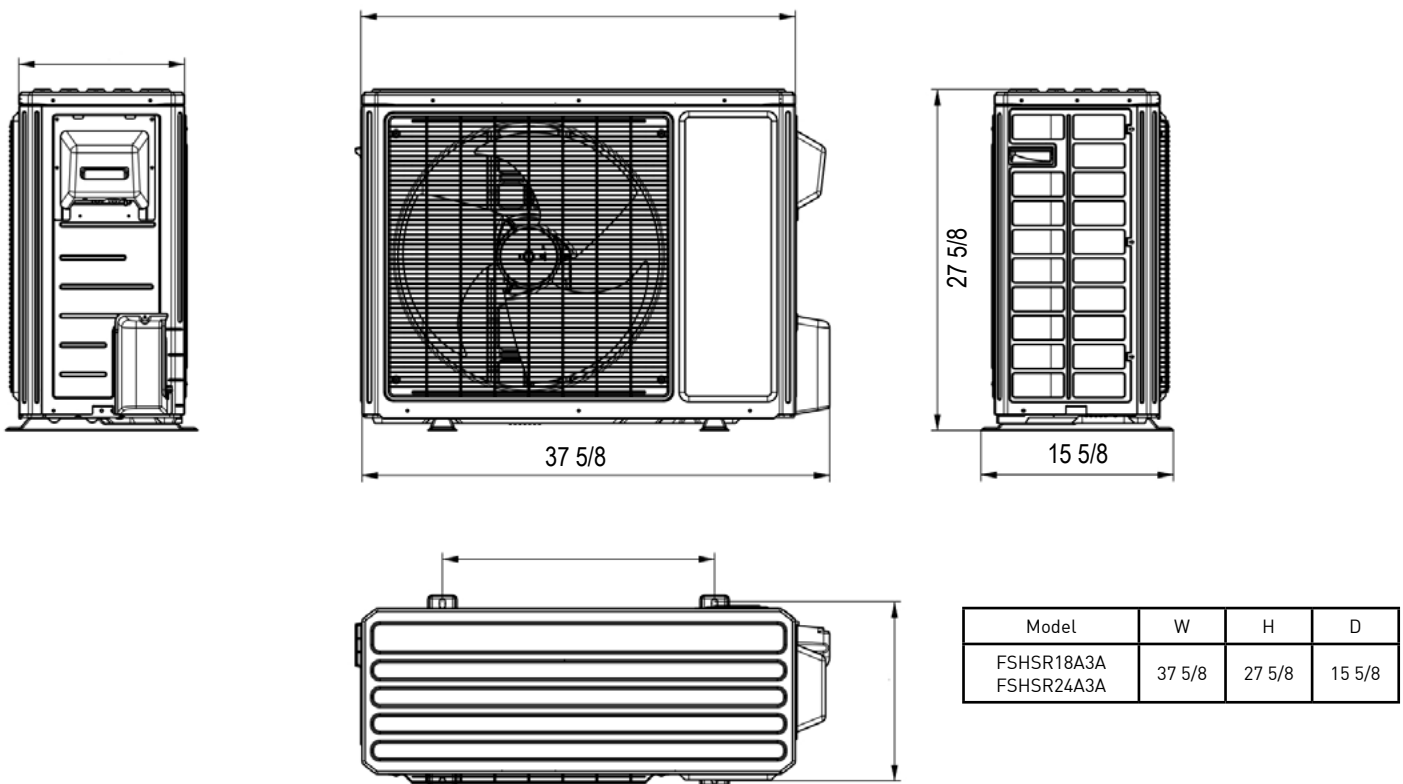


## DIMENSIONAL DRAWINGS

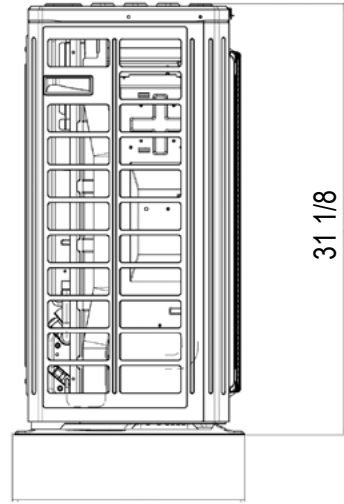
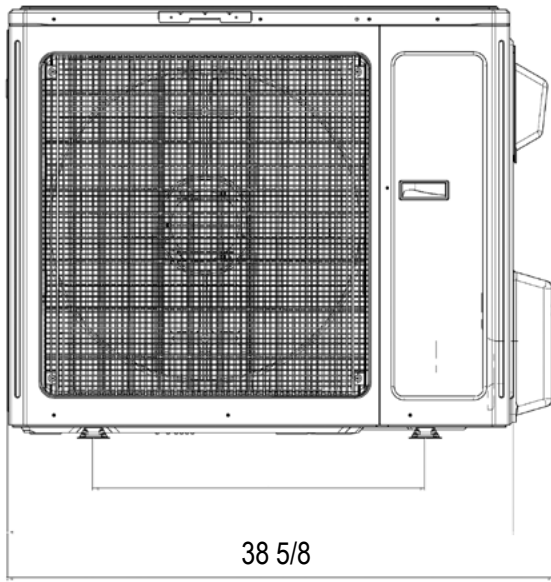
### OUTDOOR UNITS / FSHSR09A1A, FSHSR12A1A



### OUTDOOR UNITS / FSHSR18A3A, FSHSR24A3A



**DIMENSIONAL DRAWINGS**  
**OUTDOOR UNIT / FSHSR36A3A**



Model	W	H	D
FSHSR36A3A	38 5/8	31 1/8	16 7/8

## OPTIONAL ACCESSORIES



### DFACC

LCD remote for cooling only operation



### FSWC1

Optional wired wall controller

## LINE SETS

### REFRIGERATION LINE SETS MIN./MAX. LENGTHS

Floating Air® Select		
FSHW091	10	66
FSHW121	10	66
FSHW183	10	82
FSHW243	10	82
FSHW363	15	98

### REFRIGERATION LINE SETS (REQUIRED) OUTSIDE DIMENSIONS

Floating Air® Select Wall-mounted				
FSHW091	1/4	3/8	T32150	T32350
FSHW121	1/4	3/8	T32150	T32350
FSHW183	1/4	1/2	T42150	T42350
FSHW243	1/4	5/8	T52150	T52350
FSHW363	1/4	5/8	T52150	T52350

### TORQUE WRENCH SETTINGS

Outside Diameter		Torque	
mm	inch	ft.-lbs.	N-m
6.35	1/4	13 – 18	17.6 – 24.5
9.52	3/8	25 – 30	33.3 – 41.2
12.7	1/2	40 – 47	53.9 – 64.7
15.88	5/8	45 – 59	61.7 – 80.4