

PURCHASER	P.O. #	DATE
PROJECT	LOCATION	
ENGINEER	ARCHITECT	
SUBMITTED BY	FOR APPROVAL	FOR REFERENCE

ITEM	PLAN DESIGNATION	QUANTITY	COOLING BTU/H	VOLTAGE	FRIEDRICH MODEL

FEATURES FOR COMFORT AND CONVENIENCE

- Create customizable, 7-day schedules
- 24-hour on/off timer
- Precision Inverter® technology (variable speed compressor)
- Soft start compressor
- Natural air flow
- 4-way cooling
- Surge Cool/Heat
- Cooling/Heating/Fan mode
- Dry mode
- Sleep mode
- Independent vane control
- 3 fan speeds
- Ultra-quiet turbo fan
- Evaporator frost control
- Auto restart
- Auto changeover
- DiamonBlue Advanced Corrosion Protection
- Clean, modern look
- Flexible installation
- ENERGY STAR® qualified models
- Precise air distribution

BUILT-IN WI-FI FOR CONTROL ANYTIME, ANYWHERE

- Easy to use FriedrichGo™ app
- Control with smartphone
- Compatible with Amazon Alexa or Google Home



NOTE: Grilles are sold separately



OPERATES IN EXTREME CONDITIONS

- Built-in low ambient standard down to 14°F (Cooling mode)
- Low ambient operation down to -13°F (Heating mode)



WIRELESS REMOTE CONTROL



FP18A3A, FP24A3A



FP36A3A



FP42A3A

SPECIFICATIONS

PERFORMANCE RATINGS	Multi Zone Cassette - Heat Pumps				
		9k	12k	18k	24k
INDOOR MODEL		FPHFC09A3B	FPHFC12A3B	FPHFC18A3B	FPHFC24A3B
SPECIFICATIONS					
CAPACITY COOLING (RATED)	Btu	9000	12000	18000	24000
CAPACITY HEATING (RATED)	Btu	10200	13500	20400	27000
MOISTURE REMOVAL	Pts/h	1.9	2.5	3.2	5.0
AIRFLOW (HIGH)	CFM	306	471	559	1100
SOUND RATING (MAX.-MIN.)	dB-A	40/28	40/28	40/28	40/28
ELECTRICAL DATA					
POWER SOURCE	V-Hz-Phase	230/208-60-1	230/208-60-1	230/208-60-1	230/208-60-1
POWER AND COMMUNICATION CABLE	No. x AWG	4 x 14AWG	4 x 14AWG	4 x 14AWG	4 x 14AWG
REFRIGERATION SYSTEM					
CONNECTIONS		Flare	Flare	Flare	Flare
LIQUID LINE O.D.	in	1/4	1/4	1/4	3/8
SUCTION LINE O.D.	in	3/8	3/8	1/2	5/8
DIMENSIONS & WEIGHT					
W X H X D	in	22 1/2 x 8 1/2 x 22		33 x 9 3/4 x 33	
NET WEIGHT	lbs	31.9	34	61.8	59.5
SHIPPING WEIGHT	lbs	38.5	40.7	81.6	79.5
PACKAGE DIMENSIONS W X H X D	in	28 3/4 x 11 1/2 x 26		39 1/4 x 37 x 14	

PERFORMANCE RATINGS	Multi Outdoor				
		18k	24k	36k	42K
OUTDOOR MODEL		FPHMR18A3A	FPHMR24A3A	FPHMR36A3A	FPHMR42A3A
SPECIFICATIONS					
POWER SOURCE		208-230/60/1	208-230/60/1	208-230/60/1	208-230/60/1
EST. YEARLY OPERATING COST	\$	\$90	\$172	\$259	\$277
RUNNING CURRENT COOLING RATED	A	6.5	8.7	11	17.5
RUNNING CURRENT HEATING RATED	A	7.3	8.7	13	17
POWER INPUT COOLING MIN. - RATED - MAX.	W	1440 [510-2610]	1920 [420-2640]	2520 [700-5000]	4020 [700-5000]
POWER INPUT HEATING MIN. - RATED - MAX.	W	1530 [450-3510]	1920 [420-4020]	3060 [600-6000]	3870 [600-6000]
POWER AND COMMUNICATION CABLE	No. x AWG	4 x 14AWG	4 x 14AWG	4 x 14AWG	4 x 14AWG
DIMENSIONS W x H x D	in	33 7/8 x 26 3/8 x 12 1/4	37 3/8 x 33 x 13 3/8	37 3/8 x 41 3/8 x 13 3/8	37 3/8 x 41 3/8 x 13 3/8
NET WEIGHT	lbs	108	159	186	196
SHIPPING WEIGHT	lbs	119	170	216	225
REFRIGERATION SYSTEM					
REFRIGERANT		R410A	R410A	R410A	R410A
FACTORY PRECHARGE	oz	63	81	106	120
FACTORY PRECHARGE	ft	50	75	100	125
LIQUID LINE O.D.	in	1/4	1/4	1/4	1/4
SUCTION LINE O.D.	in	3/8	3/8	3/8	3/8
MIN./MAX. LINE LENGTH (EACH)	ft	25/82	25/66	25/66	25/66
LINE LENGTH (TOTAL)	ft	164	197	197	262
MAX. HEIGHT DIFFERENCE	ft	49	49	49	49
SOUND PRESSURE LEVEL COOLING	dB	55	59	59	59
SOUND PRESSURE LEVEL HEATING	A	55	59	59	59
OPERATING RANGE COOLING	°F DB	14-115	14-115	14-115	14-115
OPERATING RANGE HEATING	°F WB	-13-75	-13-75	-13-75	4-75
MINIMUM AMPACITY	A	21A	25A	32A	35A
MAX. TD FUSE/BREAKER	A	30A	30A	50A	50A

Your operating costs will depend on your utility rates and use. The estimated operating cost is based on a electricity cost of \$.12 per kWh. For more information, visit www.ftc.gov/energy.

Models require grille. Sold separately.

Due to continuing research in new energy-saving technology, specifications are subject to change without notice.



MULTI ZONE CONFIGURATION, AHRI RATINGS

Friedrich Model	AHRI Reference Number	Indoor Type	System Capacity	EER	SEER	High Heat 47 °F	HSPF	Low Heat 17°F
FPHMR18A3A	205150429	Non-ducted Indoor Units	18000	12.50	22.00	18000	11.00	12200
	205150428	Ducted Indoor Units	18000	11.50	19.00	18000	9.60	12200
	205150430	Mixed Ducted and Non-ducted Indoor Units	18000	12.00	20.50	18000	10.30	12200
FPHMR24A3A	204101246	Non-ducted Indoor Units	24000	12.50	22.00	24000	11.00	15400
	204005731	Ducted Indoor Units	24000	12.10	21.00	24000	10.00	15400
	203999079	Mixed Ducted and Non-ducted Indoor Units	24000	12.30	21.50	24000	10.50	15400
FPHMR36A3A	204101247	Non-ducted Indoor Units	32000	12.50	21.00	36000	11.00	23200
	203996910	Ducted Indoor Units	32000	12.00	19.50	36000	10.80	22600
	203999080	Mixed Ducted and Non-ducted Indoor Units	32000	12.25	20.25	36000	10.90	22600
FPHMR42A3A	205141512	Non-ducted Indoor Units	42000	10.50	20.00	42000	10.00	24000
	205141511	Ducted Indoor Units	41000	10.00	18.00	42000	9.50	24000
	205141513	Mixed Ducted and Non-ducted Indoor Units	41500	10.25	19.00	42000	9.75	24000

Select a combination of indoor units that does not exceed the maximum connected capacity, and is within the recommended parameters:

FPHMR18A3A
24,000 Btu MAX.
 CONNECTED CAPACITY
 DUAL ZONE ONLY

FOR (2) ZONES:
 MINIMUM combination must be 50% of nameplate capacity

Combinations SHOULD NOT:
 Exceed the maximum allowable total indoor unit connected capacity of 24,000 Btu.

FPHMR24A3A
36,000 Btu MAX.
 CONNECTED CAPACITY
 TRI-ZONE MAX.

FOR (2) ZONES:
 MINIMUM combination must be 50% of nameplate capacity

FOR (3) ZONES:
 Select any combination of (3) indoor units.

Combinations SHOULD NOT:
 Exceed the maximum allowable total indoor unit connected capacity of 36,000 Btu.

FPHMR36A3A
48,000 Btu MAX.
 CONNECTED CAPACITY
 DUAL/TRI-ZONE/FOUR ZONE.

FOR (2) ZONES:
 Select two (2) 18,000 Btu indoor units

FOR (3) ZONES:
 Select any combination of (3) indoor units with no more than (2) 18,000 Btu indoor units plus (1) other indoor unit.

FOR (4) ZONES:
 Select any combination of (4) indoor units.
Combinations SHOULD NOT:
 Exceed the maximum allowable total indoor unit connected capacity of 48,000 Btu.

FPHMR42A3A
54,000 Btu MAX.
 CONNECTED CAPACITY
 TRI-ZONE/FOUR/FIVE ZONE
 WITH NO BRANCH BOXES

FOR (3) ZONES:
 Select any combination of (3) indoor units with no more than (2) 18,000 Btu indoor units plus (1) other indoor unit.

FOR (4) ZONES:
 Select any combination of (4) indoor units.

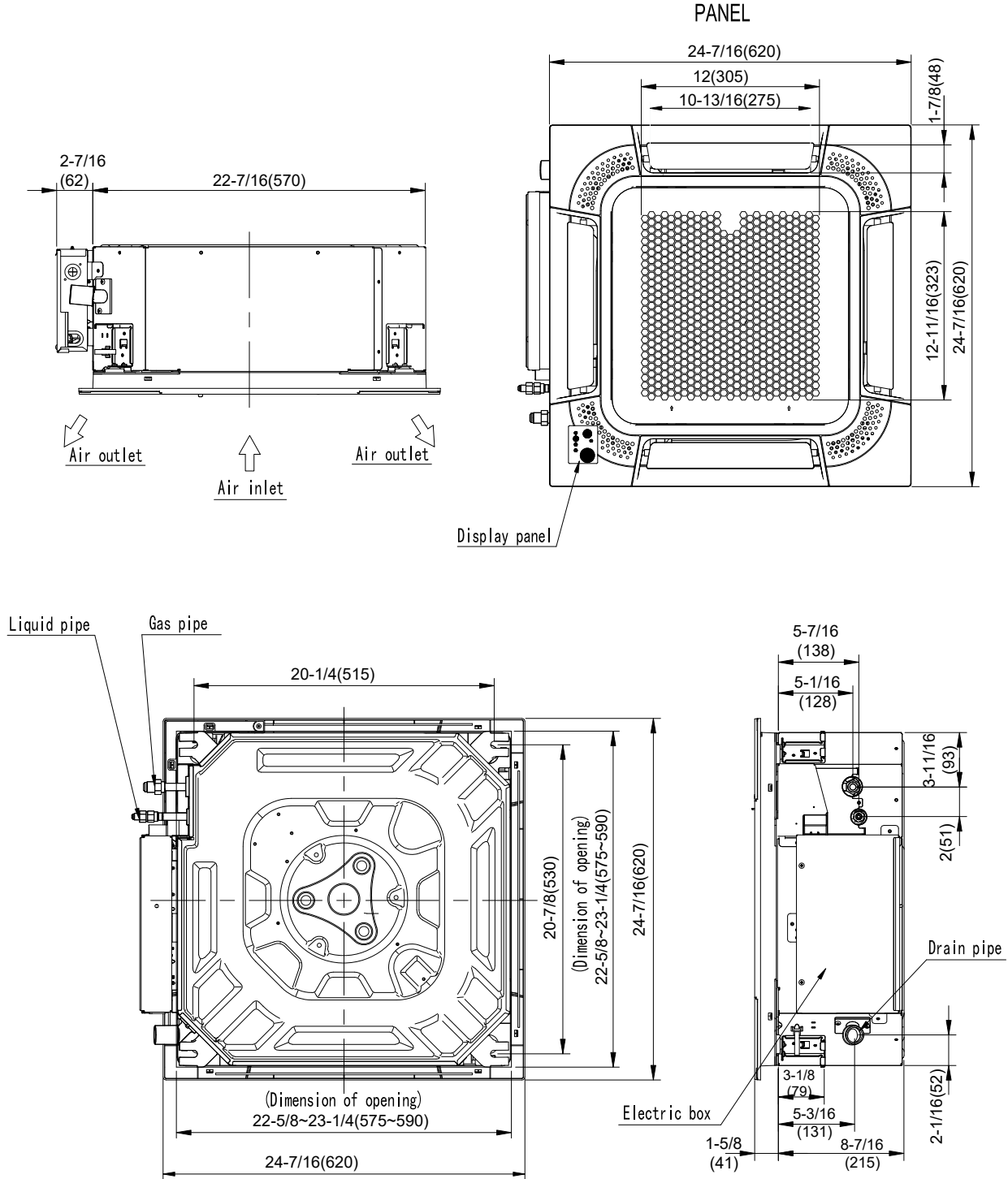
FOR (5) ZONES:
 Select any combination of (5) indoor units.

Combinations SHOULD NOT:
 Exceed the maximum allowable total indoor unit connected capacity of 54,000 Btu.

DIMENSIONAL DRAWINGS

INDOOR UNIT / FPHFC09A3B, FPHFC12A3B

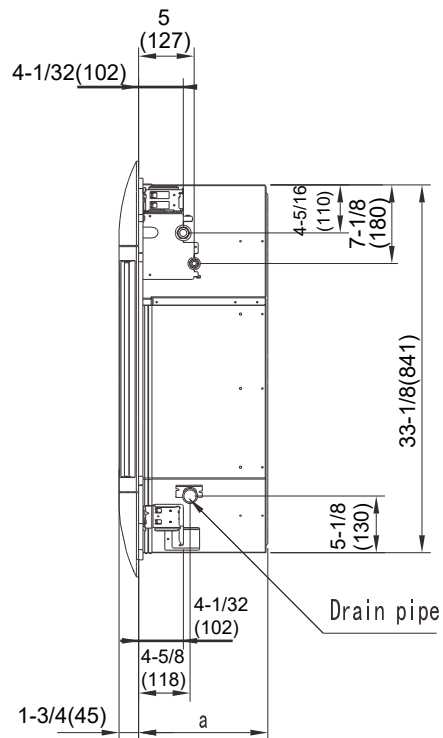
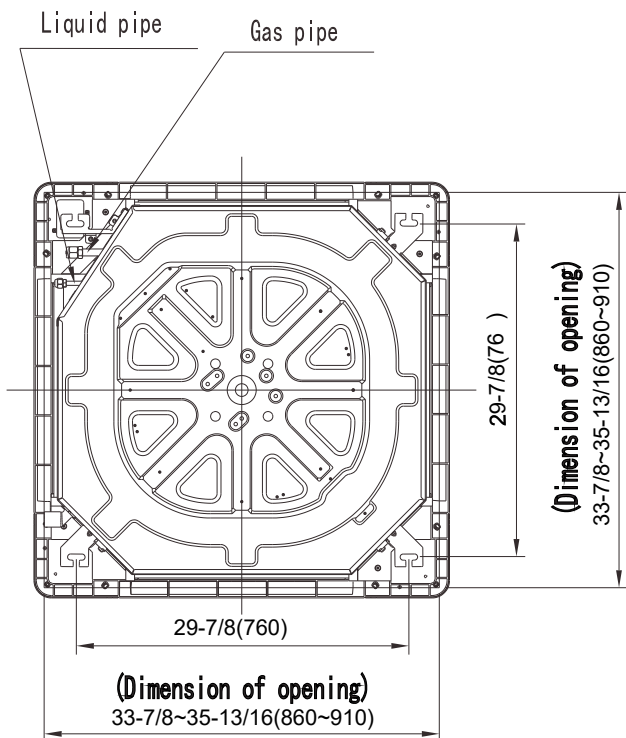
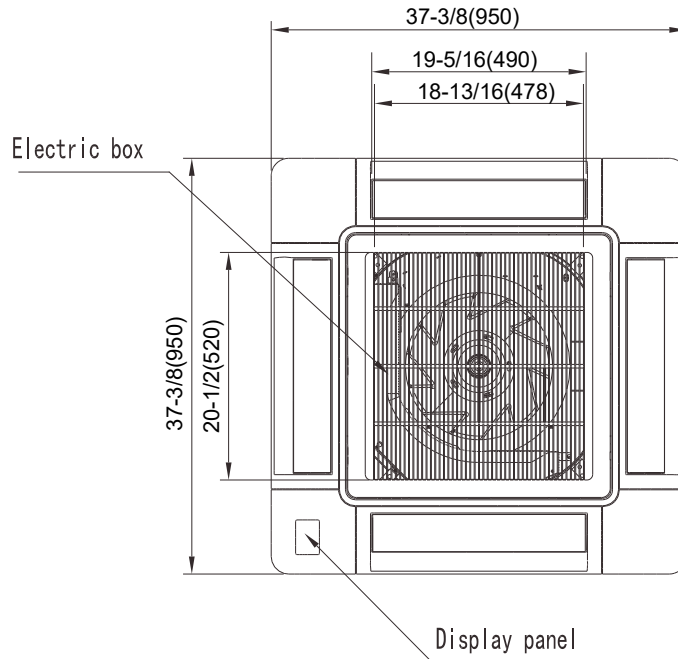
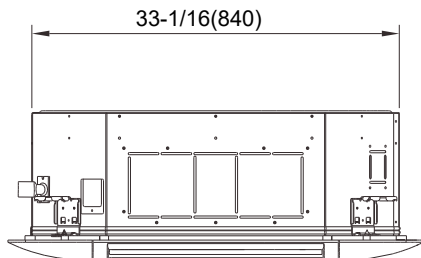
	W	H	D
FPHFC09A3B	22 1/2"	8 1/2"	22"
FPHFC12A3B	22 1/2"	8 1/2"	22"



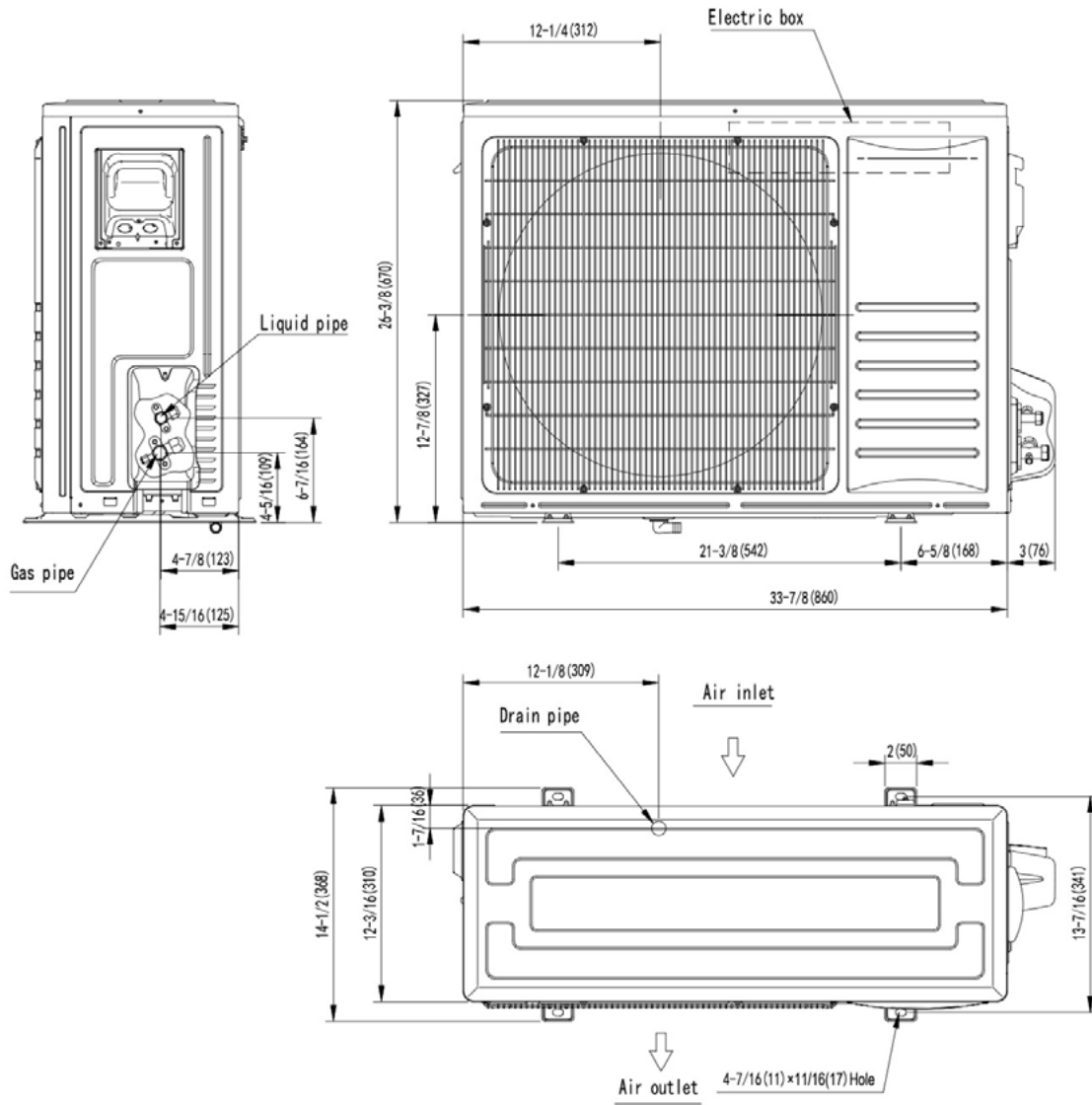
DIMENSIONAL DRAWINGS

INDOOR UNIT / FPHFC18A3B, FPHFC24A3B

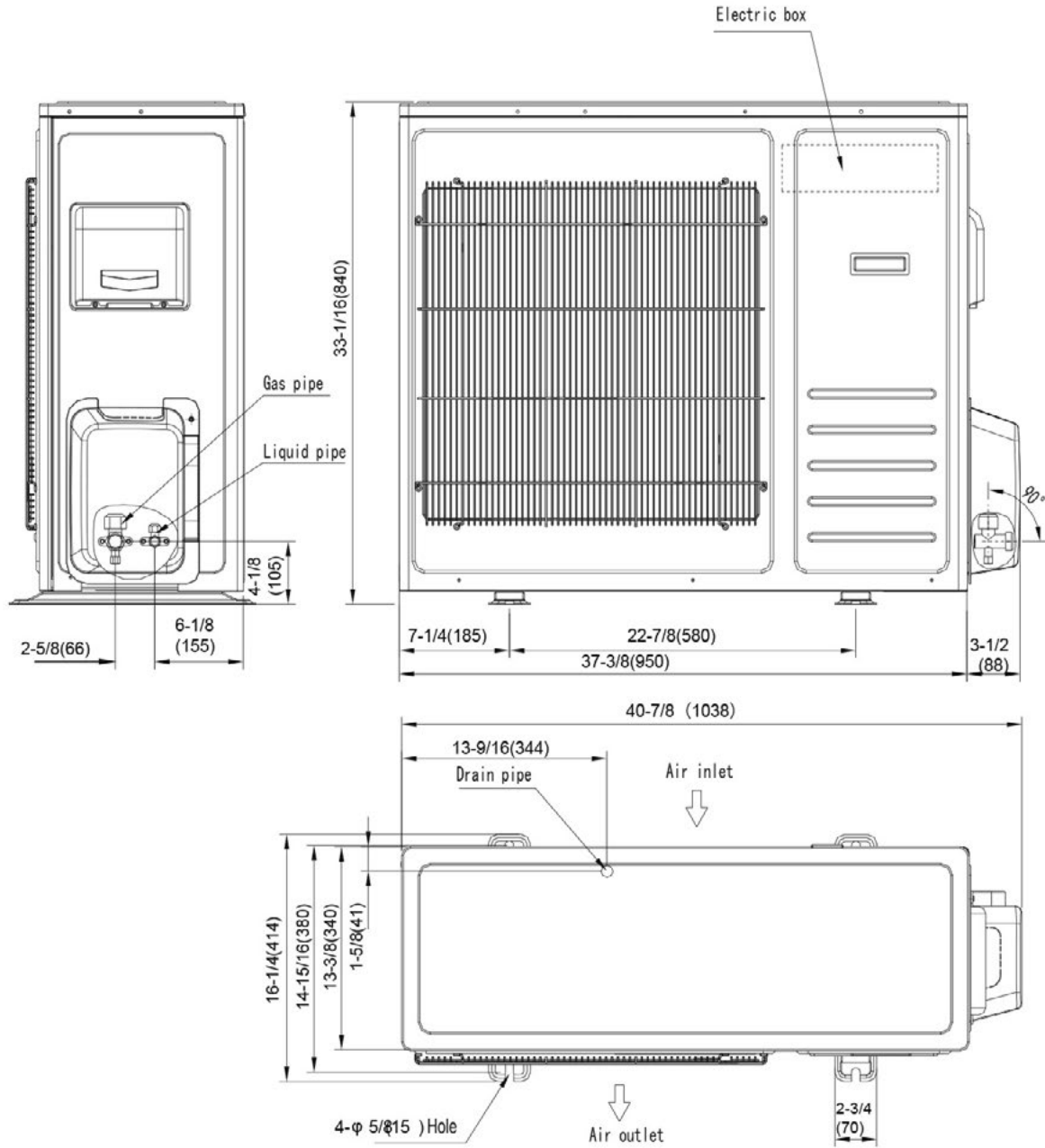
	W	H	D
FPHFC18A3B	33"	9 3/4"	33"
FPHFC24A3B	33"	9 3/4"	33"



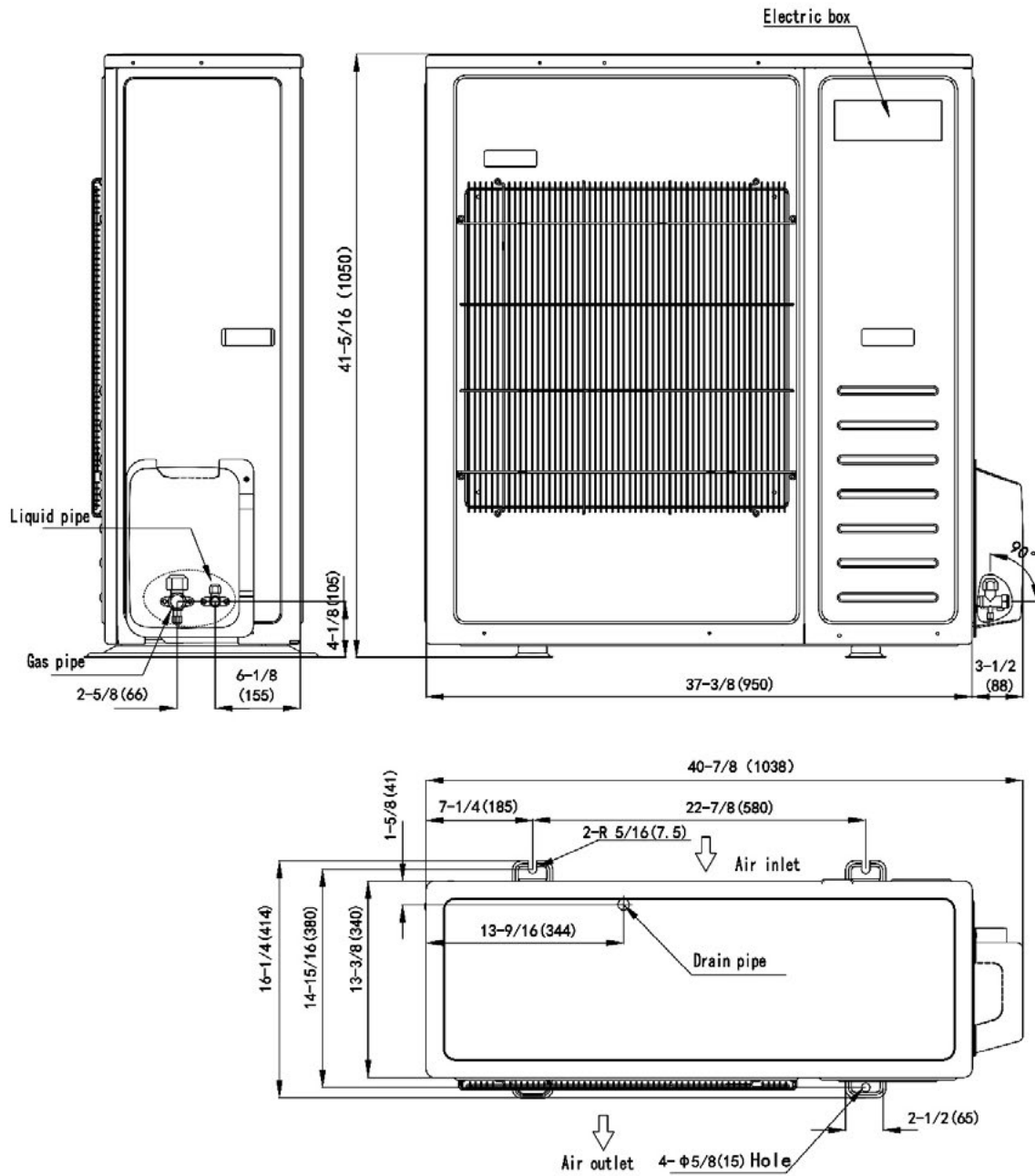
DIMENSIONAL DRAWINGS
OUTDOOR UNITS / FPHMR18A3A



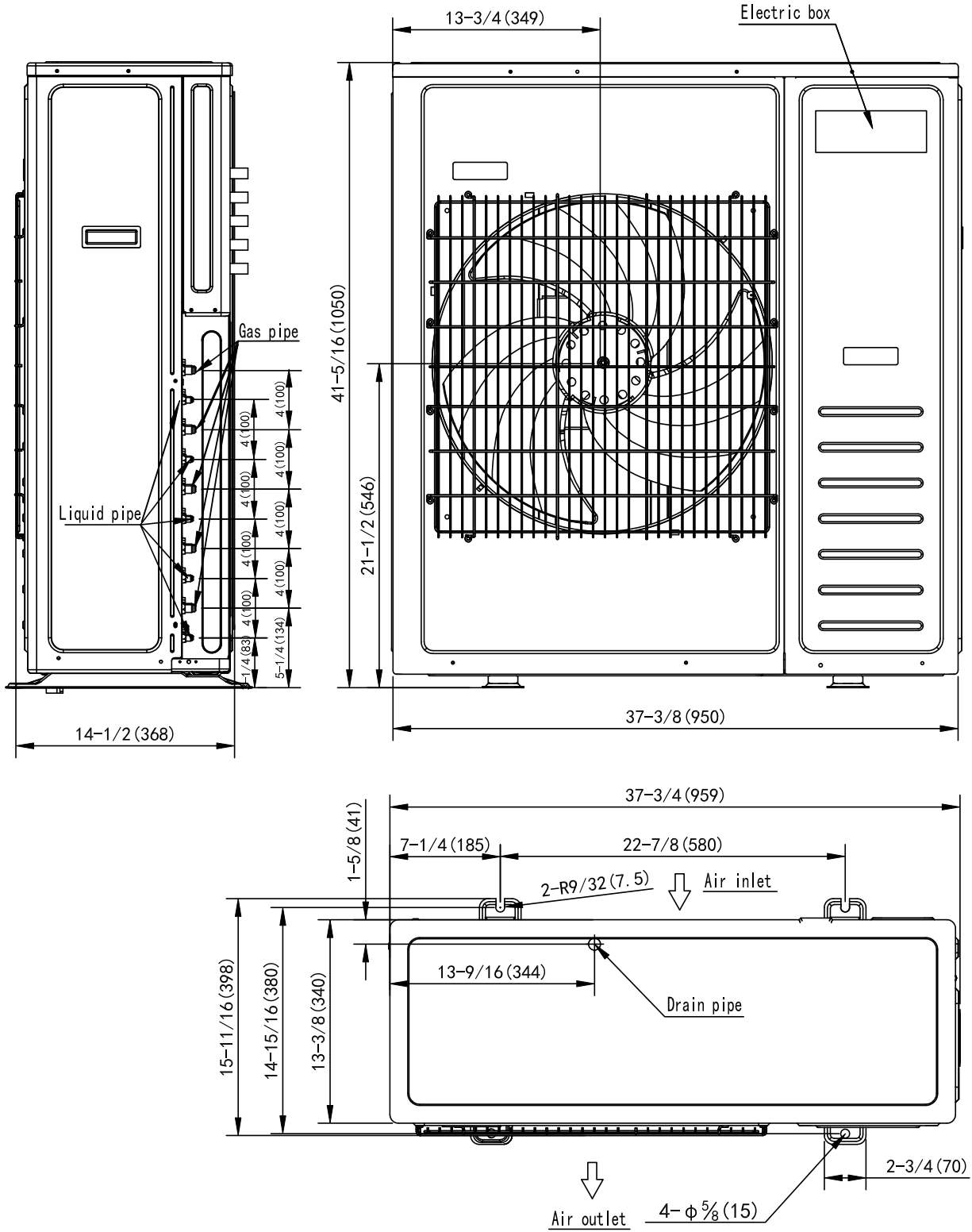
DIMENSIONAL DRAWINGS
OUTDOOR UNITS / FPHMR24A3A



DIMENSIONAL DRAWINGS
OUTDOOR UNITS / FPHMR36A3A



DIMENSIONAL DRAWINGS
OUTDOOR UNITS / FPHMR42A3A



ACCESSORIES

REFRIGERATION LINE SETS (REQUIRED) OUTSIDE DIMENSIONS

Floating Air® Pro Multizone Outdoor				
SYSTEM MODEL	Liquid	Suction	15' Lineset Kit	35' Lineset Kit
FPHMR18A3A	1/4	3/8	T32150	T32350
FPHMR24A3A	1/4	3/8	T32150	T32350
FPHMR36A3A	1/4	3/8	T32150	T32350
FPHMR42AEA	1/4	3/8	T32150	T32350

*Insulated line sets are available for all Friedrich split systems in 15 ft. and 35 ft. lengths. Each line set is equipped with flare nuts on both ends. Both liquid and suction lines are insulated. Line sets can be joined together with field supplied double male connectors. Each system requires one line set for each indoor unit installed.

REFRIGERATION LINE SETS MIN./MAX. LENGTHS

SYSTEM MODEL	Min. (ft.)	Max. Each/Total (ft.)
Floating Air® Pro Multi Zone Outdoor		
FPHMR18A3A	25	82/164
FPHMR24A3A	25	66/197
FPHMR36A3A	25	66/246
FPHMR42A3A	25	66/246

TORQUE WRENCH SETTINGS

Outside Diameter		Torque	
mm	inch	ft.-lbs.	N·m
6.35	1/4	13 - 18	17.6 - 24.5
9.52	3/8	25 - 30	33.3 - 41.2
12.7	1/2	40 - 47	53.9 - 64.7
15.88	5/8	45 - 59	61.7 - 80.4

WALL CONTROLLER



FPWC1
Optional wired wall controller

GRILLES (REQUIRED)



FPCG0912
Required accessory for FPFC09A3B,
FPFC12A3B



FPCG182436
Required accessory for FPFC18A3B
and FPFC24A3B